



Legacy Rig 5
CAPACITY 6,500' with 4-1/2" DP

DRAWWORKS

Challenger 3T 360 475HP for 1" Line

POWER

(1) Detroit Series 60 535HP

TRANSMISSION

Allison 5860 Automatic

AUXILIARY BRAKE

Trip Drum: WPT 224

Kelly Drum: WPT 224

MAST

Challenger: 84' 200,000 SHL on 6-8 Lines

SUBSTRUCTURE

Challenger: 10'H 200,000 Set Back Capacity

CATWALK

18" x 7' x 45'L

GENERATOR HOUSE

(2) 350KW p/b (2) CAT C-15

Palatec 20D Screw 20HP

Quincy 350 20HP

MUD PUMPS

(2) PZ-8 800HP Each

POWER

(2) CAT 3412 750HP Each

TRANSMISSIONS

(2) Allison 6061 Automatic

POWER SWIVEL

Venturetech XK-150 150 TON w/ HPU

p/b CAT C-9 375HP 125 GPM @ 2000RPM

TRAVELING EQUIPMENT

Swivel Blocks: McKissick 75 Ton (6) Lines

Trip Blocks: McKissick: 100 Ton (6) Lines

ROTARY TABLE

Howard Turner 18" OB

CLOSING UNIT

Koomey 4 Station 60 Gallon

HOUSES & TANKS

Top Doghouse 8'H x 8'W x 25'L

Crew Change/Parts House 8'H x 10'W x 45'L

Diesel Fuel Tank (6,000 Gallon) w/ 2 Pumps

Water Tank (400 Bbl.) w/2-2"x3" Pumps

Pusher House: 12'W x 48'L (skidded)

Crew Housing: NA

MUD SYSTEM

2 Tank - 560 Bbl. w/ 75 Bbl. Premix

SOLIDS EQUIPMENT

Pumps: (4) 5" x 6" Centrifugal

Shakers: Derrick 3000 (prior went to 18)

Desander: NA

Desilter: OWI 8-4" Cones

Agitators:(4) 10HP

Mud House:

Low Pressure Hooper: Yes

IRON ROUGHNECK

NA

AUXILIARY EQUIPMENT

Wireline Machine: OWI 1600

Deviation Recorder: N/A rental released

Recorder: N/A rental released

Pipe Spinner: Rauch 512

Air Hoist:OWI 6000#

Hyd. Hoist: (2) OWI 6000#

Hyd. HPU: GHP w/ (2) Pumps

TUBULARS

Drill Pipe: 4-1/2" 16.60# E&G Double WB

Drill Collars: 6-1/4" x 2-1/4" 92#

Drill Collars: 8" (Avail. Upon request)

Weight Pipe: 4-1/2" x 2-7/8" 42#

FORKLIFT

John Deere 624J

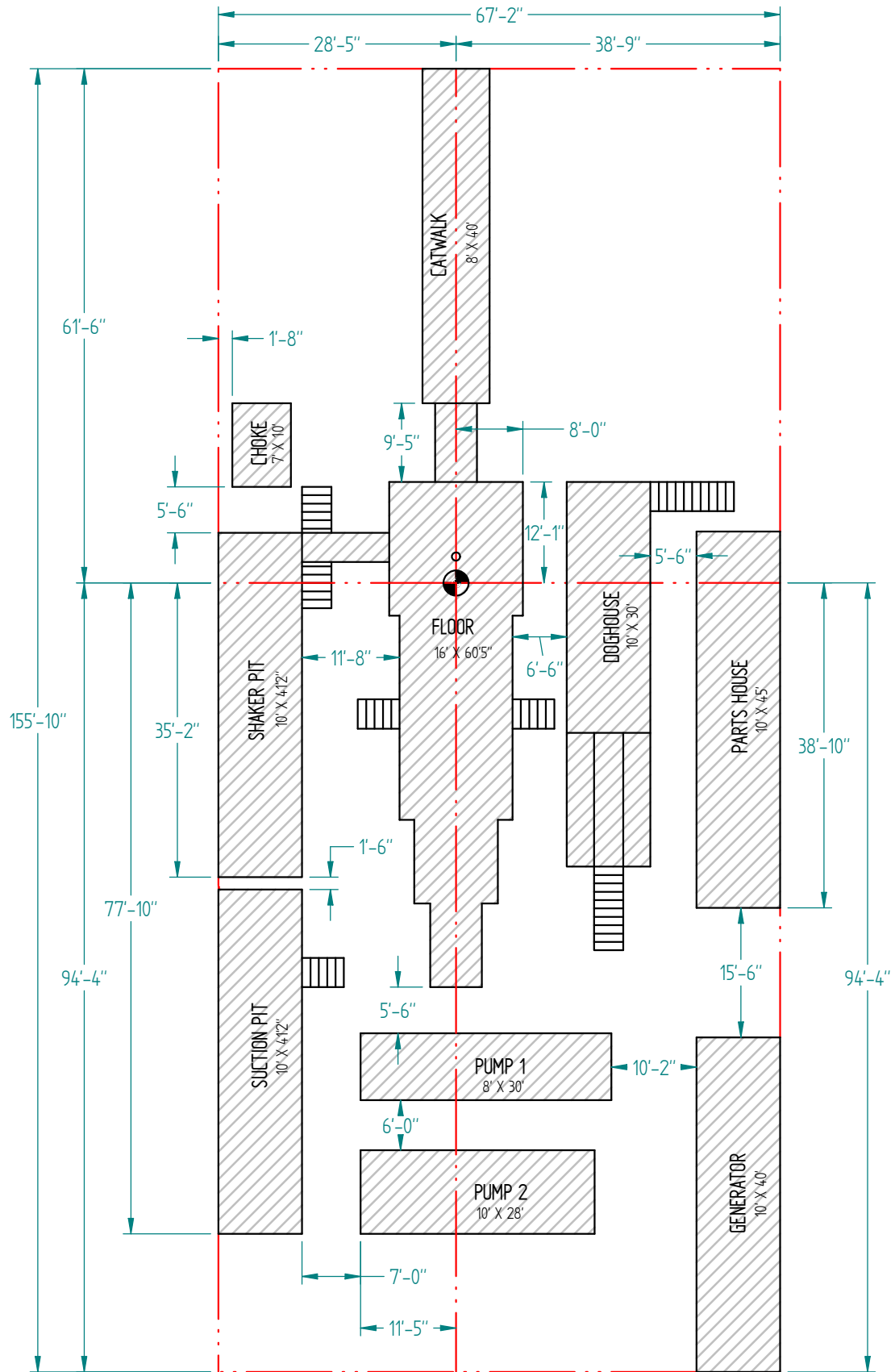
BOP EQUIPMENT

DOUBLE: Shaffer 11" 3000PSI

ANNULAR: Shaffer Spherical 3000PSI

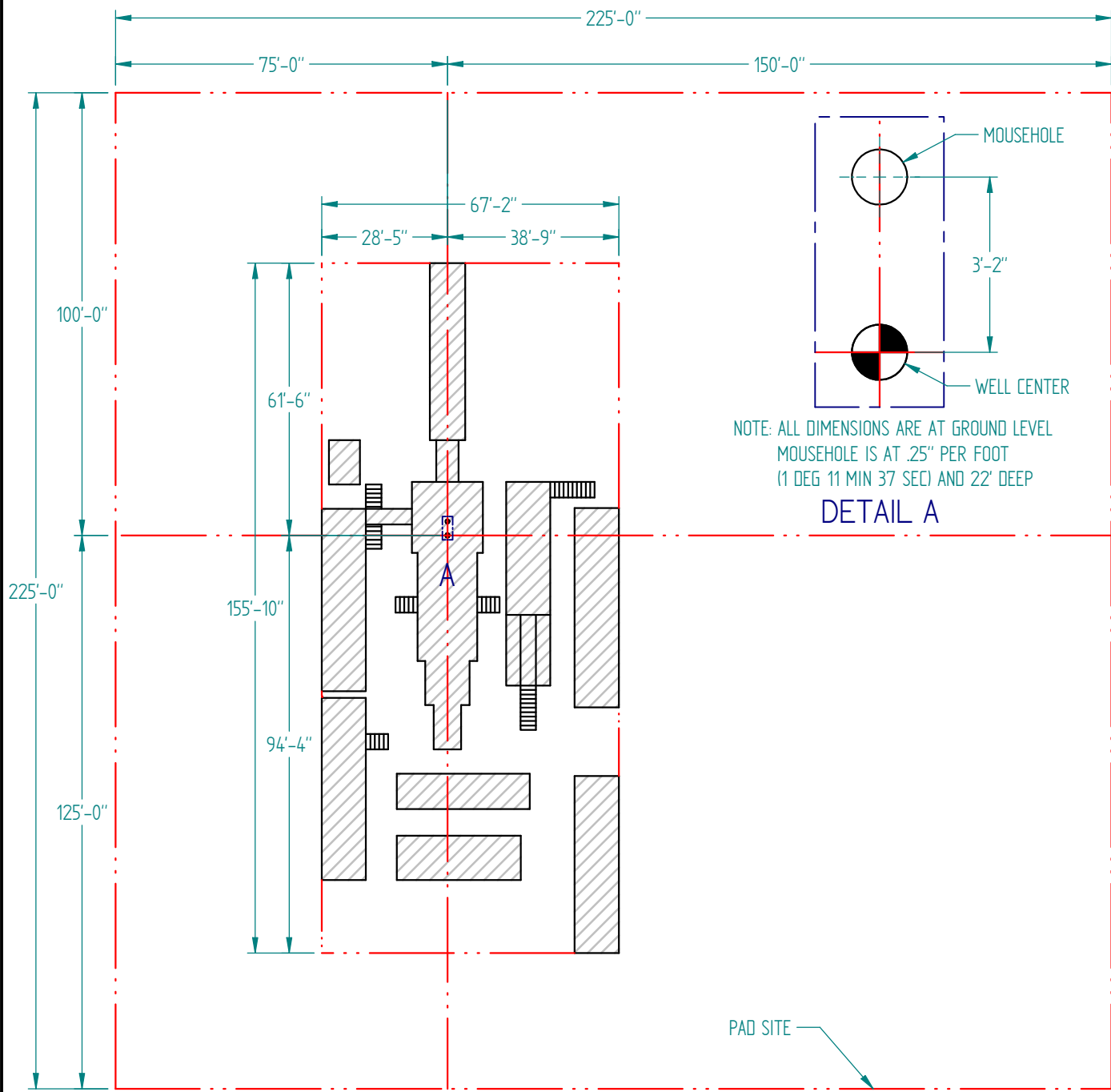
CHOKE MANIFOLD

4" x 2" 3000PSI

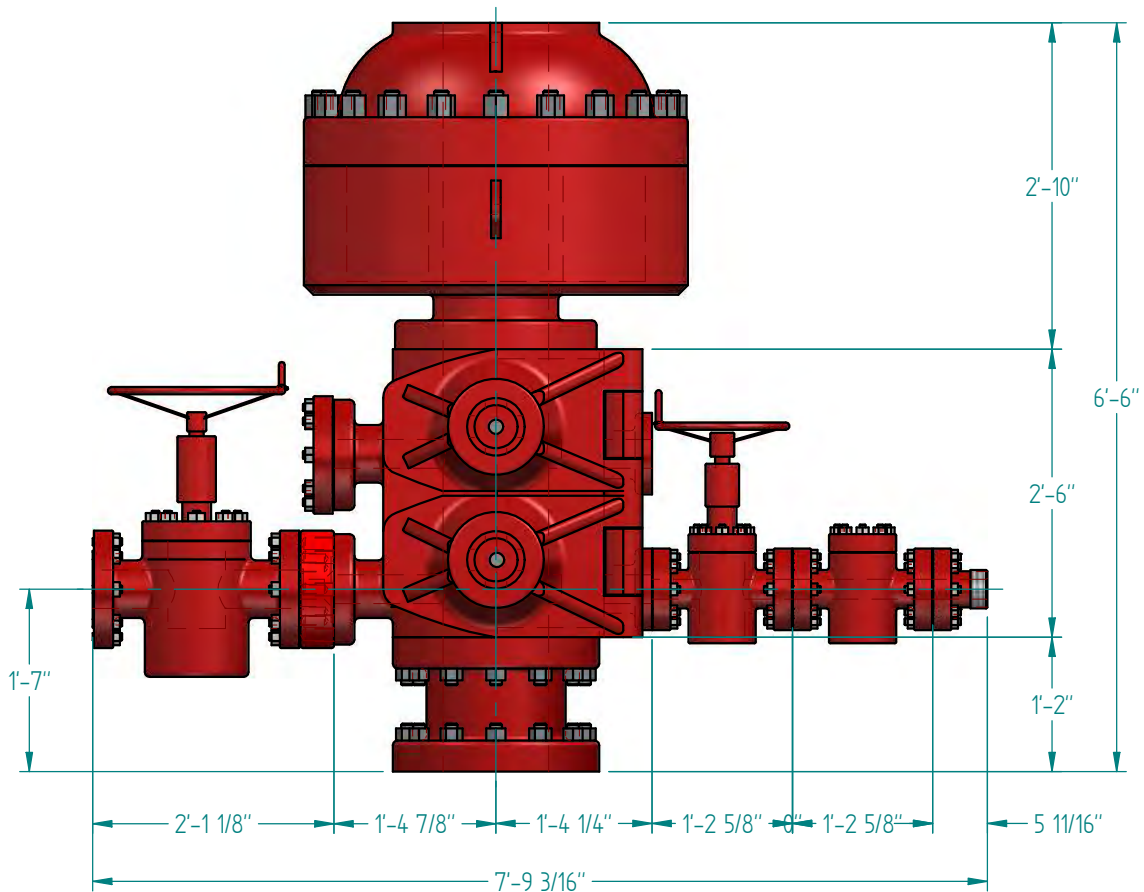
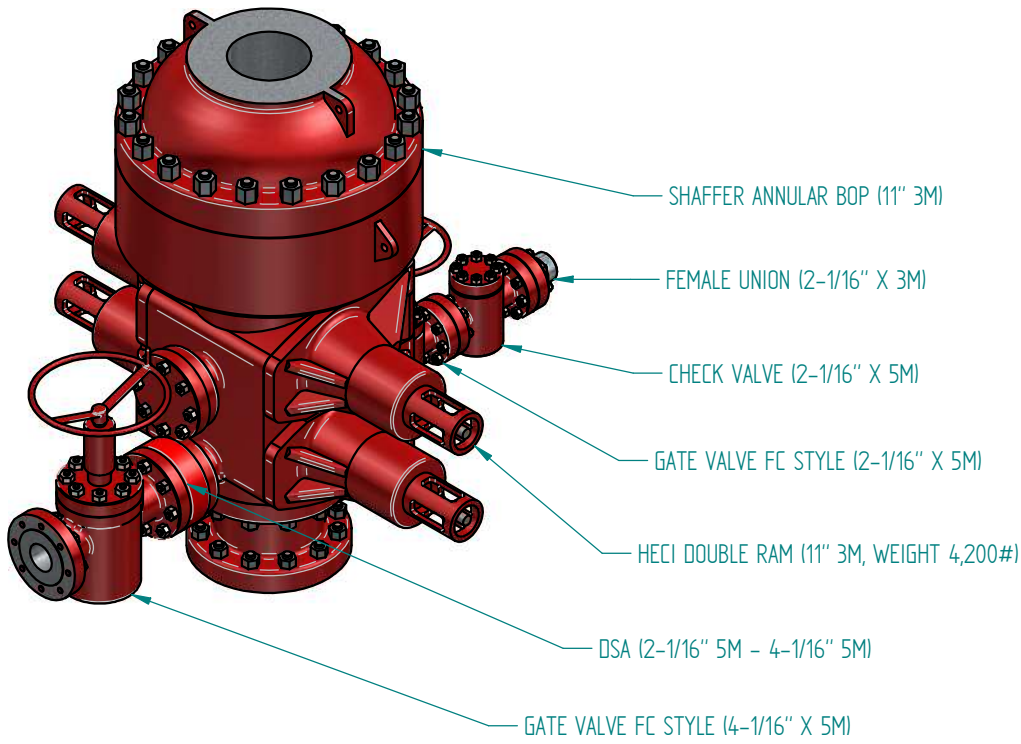


RIG 5





Rig 5



Rig 5

