



@ [UWrRig 4

CAPACITY 6,500' with 4-1/2" DP

DRAWWORKS

Challenger 3T 360 475HP for 7/8" Line

POWER

(1) Detroit Series 60 535HP

TRANSMISSION

Allison 5860 Automatic

AUXILIARY BRAKE

Trip Drum: WPT 224

Kelly Drum: WPT 224

MAST

Challenger 84' 300,000 SHL on 6-8 Lines

SUBSTRUCTURE

HES Hyd: 11'-4"Hx27"Wx16'L 400,000 Set Back Cap.

CATWALK

16"H x 8"W x 50'L

GENERATOR HOUSE

(2) 455KW p/b (2) Cummings QSX-15

(2) Palatec 30D Screw 30P

MUD PUMPS

(2) Lanzhou F-1000 1000HP Each

POWER

(2) CAT 3508C 960HP Each

TORQUE CONVERTORS

(2) OWI C-300-64

POWER SWIVEL

Venturetech XK-150 150 TON w/ HPU

p/b CAT C-9 375HP @ 2000RPM

TRAVELING EQUIPMENT

Swivel Blocks: McKissick 100 Ton (6) Lines

Trip Blocks: McKissick 150 Ton (8) Lines

ROTARY TABLE

Howard Turner 18" OB

BOP EQUIPMENT

DOUBLE: Shaffer LWS 11" 3000PSI

ANNULAR: Shaffer Spherical 11" 3000PSI

CHOKE MANIFOLD

4"x3" 4000 PSI

CLOSING UNIT

Koomey 4 Station 80 Gallon

HOUSES & TANKS

Top Doghouse

Crew Change/Parts House

Diesel Fuel Tank (8,000 Gallon)

Water Tank (500 Bbl.) w/2-2"x3" Pumps

Ameritech Pusher House 12'W x 48'L (skidded)

Ameritech Crew Housing 13'W x 52'L (skidded)

MUD SYSTEM

2 Tank - 600 Bbl. w/ 80 Bbl. Premix (original rig 4 pits)

SOLIDS CONTROL EQUIPMENT

Pumps: (4) 5" x 6" Centrifugal

Shakers: Vortex 3000 Duel

Desander: NA

Desilter: OWI 8-4" Cones

Agitators: (4) 10HP

Mud House: 10'W x 20'L

Low Pressure Hooper: Yes

IRON ROUGHNECK

Torque Chief Blohm-Voss FH-70

AUXILIARY EQUIPMENT

Wireline Machine: OWI 1600

Deviation Recorder: N/A released

Recorder: N/A released

Pipe Spinner: Rauch 512 Hyd.

Air Hoist: OWI 35C7 Air

Hyd. Hoist: OWI 12,000#

Hyd. HPU: N/A

TUBULARS

Drill Pipe: 4-1/2" 16.60# E&G Double WB

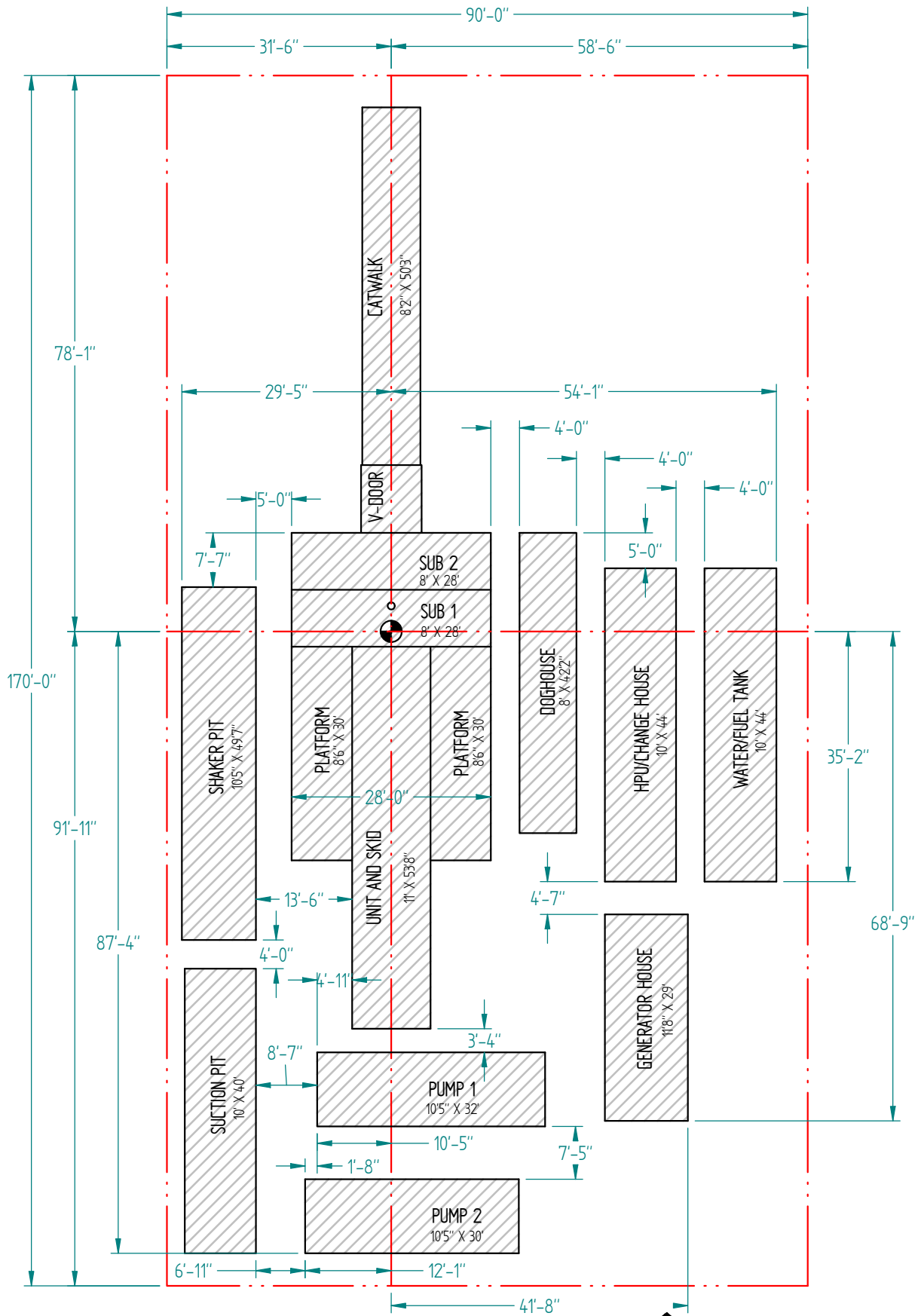
Drill Collars: 6-1/4" x 2-1/4" 92#

Drill Collars: 8" (Avail. Upon request)

Weight Pipe: 4-1/2" x 2-7/8" 42#

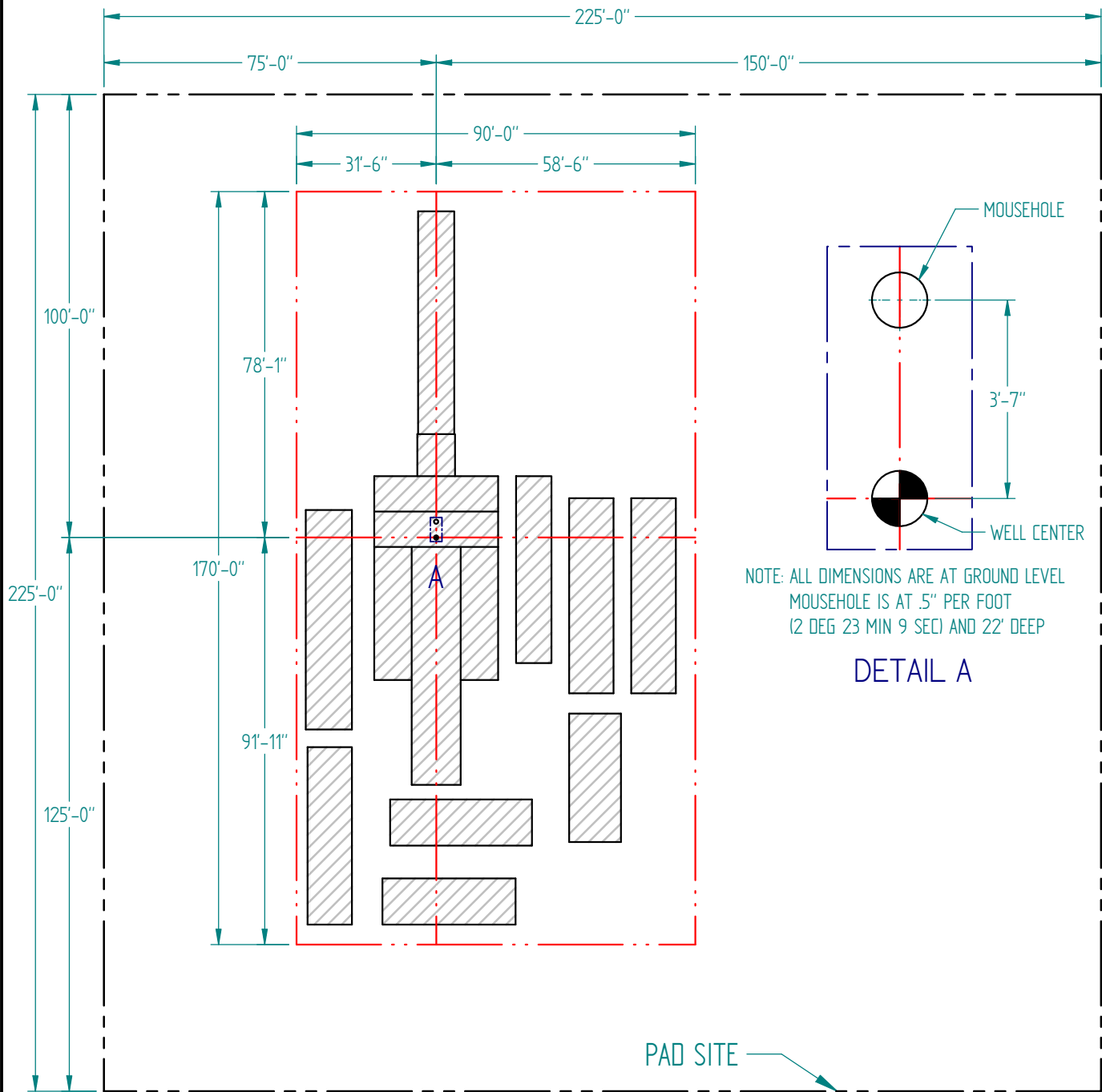
FORKLIFT

John Deere 544J

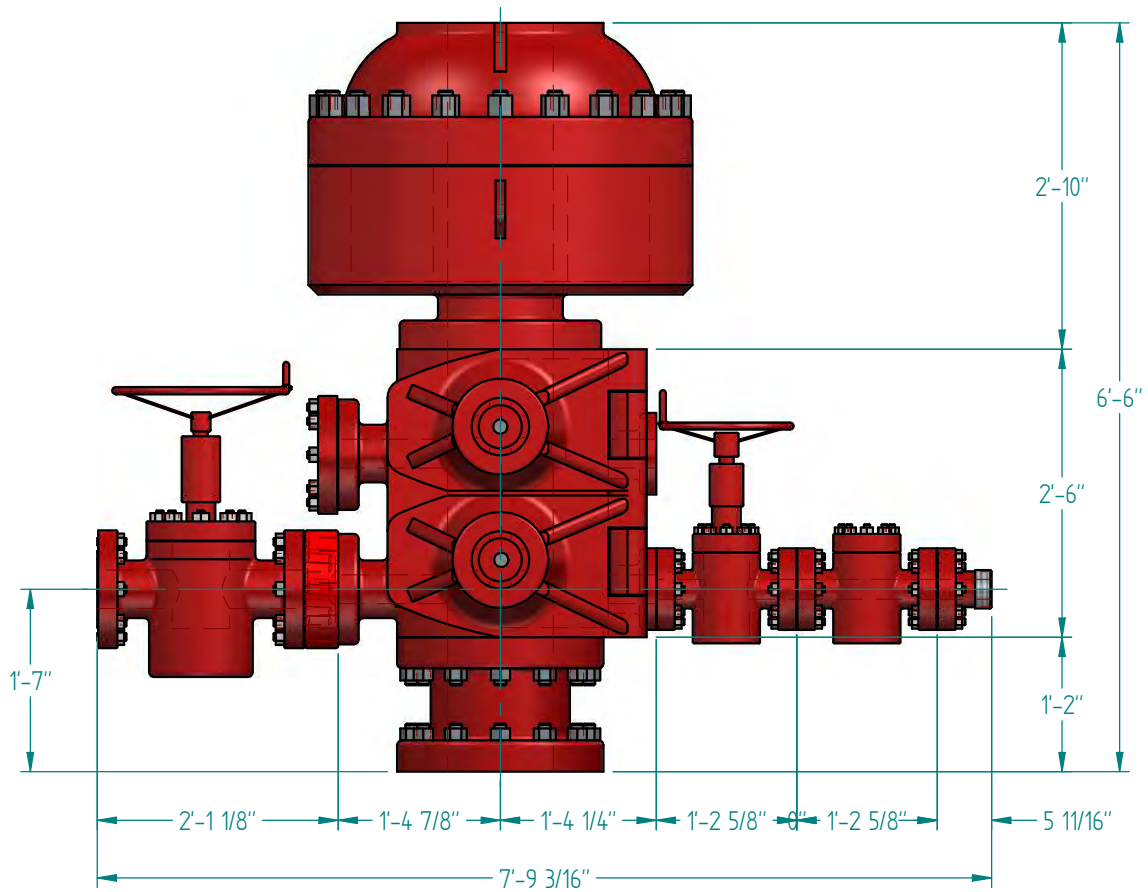
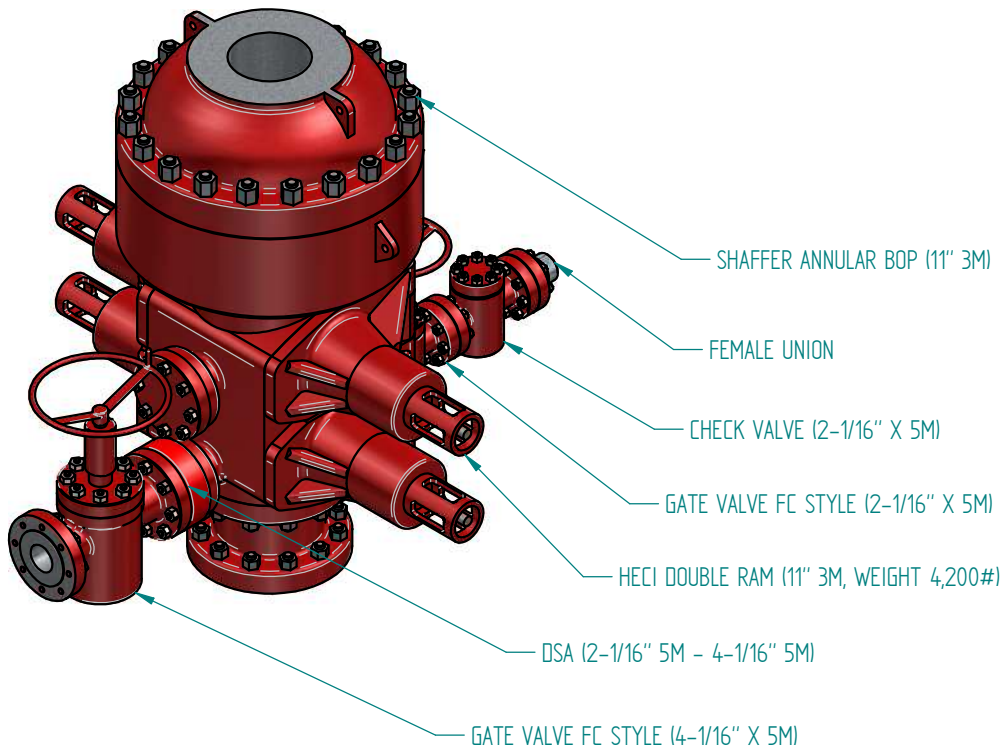


RIG 4





Rig 4



Rig 4

