



@ [U W r i F] [' % ' f 6 i] ' h i B Y k ' & \$ % £
CAPACITY 14,000' with 4-1/2" DP

DRAWWORKS

OWI-1000 1000HP 1-1/4" Line

POWER

(2) CAT C-18 630HP Each

TORQUE CONVERTORS

(2) National C-195-100

AUXILIARY BRAKE

Eaton 236 WCBD

MAST

OWI 142' 600,000 SHL 10 Lines

SUBSTRUCTURE

OWI 20' (2) Box on Box 400,000 Setback

CATWALK

16"H x 8"W x 50'L

GENERATOR HOUSE

(2) 455KW p/b (2) Cummings QSX-15

(2) Palatex 30D Screw 30HP

(1) Gardner-Denver ADL 20HP

MUD PUMPS

(2) Weatherford MP-10 1000HP Each

POWER

(2) CAT 3508C 960HP Each

TORQUE CONVERTORS

(2) National C-300-80

TOP DRIVE

(2014) Tesco 250-HXI-700 w/

HPU p/b Detroit 12V-2000 960 HP Engine

w/ Tesco Grabber Box f/ 3" Thru 8" TJ,s

TRAVELING EQUIPMENT

Block/Hook: McKissick 300 Ton Combo

ROTARY TABLE

China 27-1/2" x 53-1/4"

BOP EQUIPMENT

DOUBLE: HECI 11" 5000PSI

ANNULAR: HECI 11" 5000PSI

HOUSES & TANKS

Top Doghouse 8'H x 10'W x 50'L

Crew Change/Parts House 8'W x 20'L

Diesel Fuel Tank (12,500 Gallon)

Water Tank (500 Bbl.) w/ 2-2"x3" Pumps

Ameritech Pusher House 12'W x 48'L (skidded)

Ameritech Crew Housing 13'W x 52'L (skidded)

MUD SYSTEM

2 Tank - 850 Bbl. w/ 150 Bbl. Premix

SOLIDS CONTROL EQUIPMENT

Pumps: (4) 5" x 6" Centrifugal 50HP Each

Shakers: Vortex 3000 Duel

Desander: NA

Desilter: OWI w/ 8-4" Cones

Agitators: (4) 15 HP Each

Mud House: 8'H x 10'W x 20'L

Low Pressure Hooper: Yes

IRON ROUGHNECK

Blohm-Voss FH 1100

AUXILIARY EQUIPMENT

Wireline Machine: OWI-1600

Deviation Recorder: Rental Gearheart 20 Degree

Recorder: Rental Pason EDR Base System

Pipe Spinner: OWI 35C7 Air

Air Hoist: OWI 12,000#

Hyd. Hoist: (2) Braden PD12

Hyd. HPU: GFP w/ (2) Pumps

Hyd. Hoist: Braden 6000# Hoist

TUBULARS

Drill Pipe: 4-1/2" 16.60# G-105 Double WB

Drill Collars: 6-1/4" x 2-1/4" 92#

Drill Collars: 8" (Avail. Upon Request)

Weight Pipe: 4-1/2" x 2-7/8" 42#

FORKLIFT & TELEHANDLER

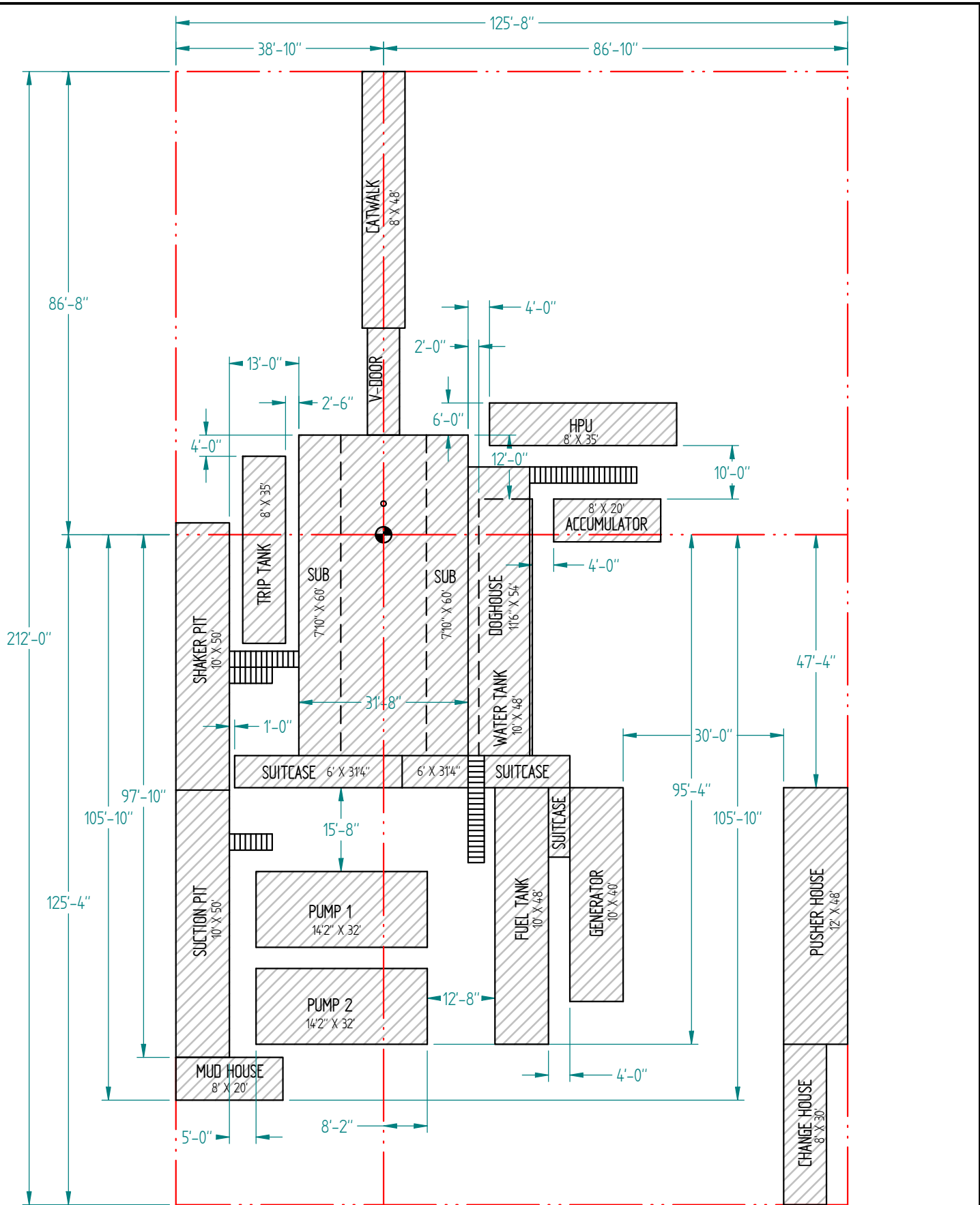
John Deere 624K CAT TL 1255 (New)

CHOKE MANIFOLD

4-1/16" x 2-1/6" 5000PSI

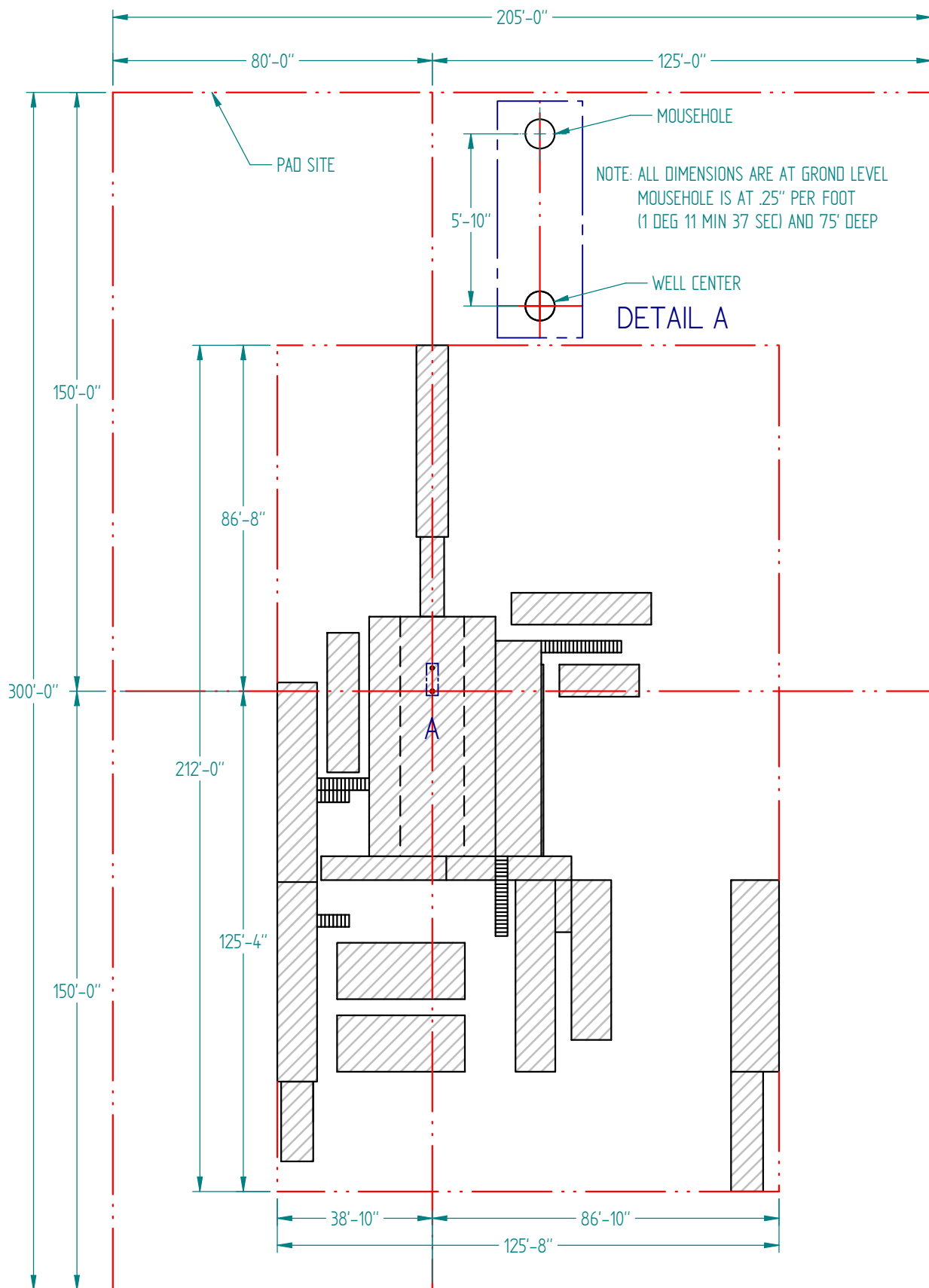
CLOSING UNIT

Advanced 5 Station 120 Gallon

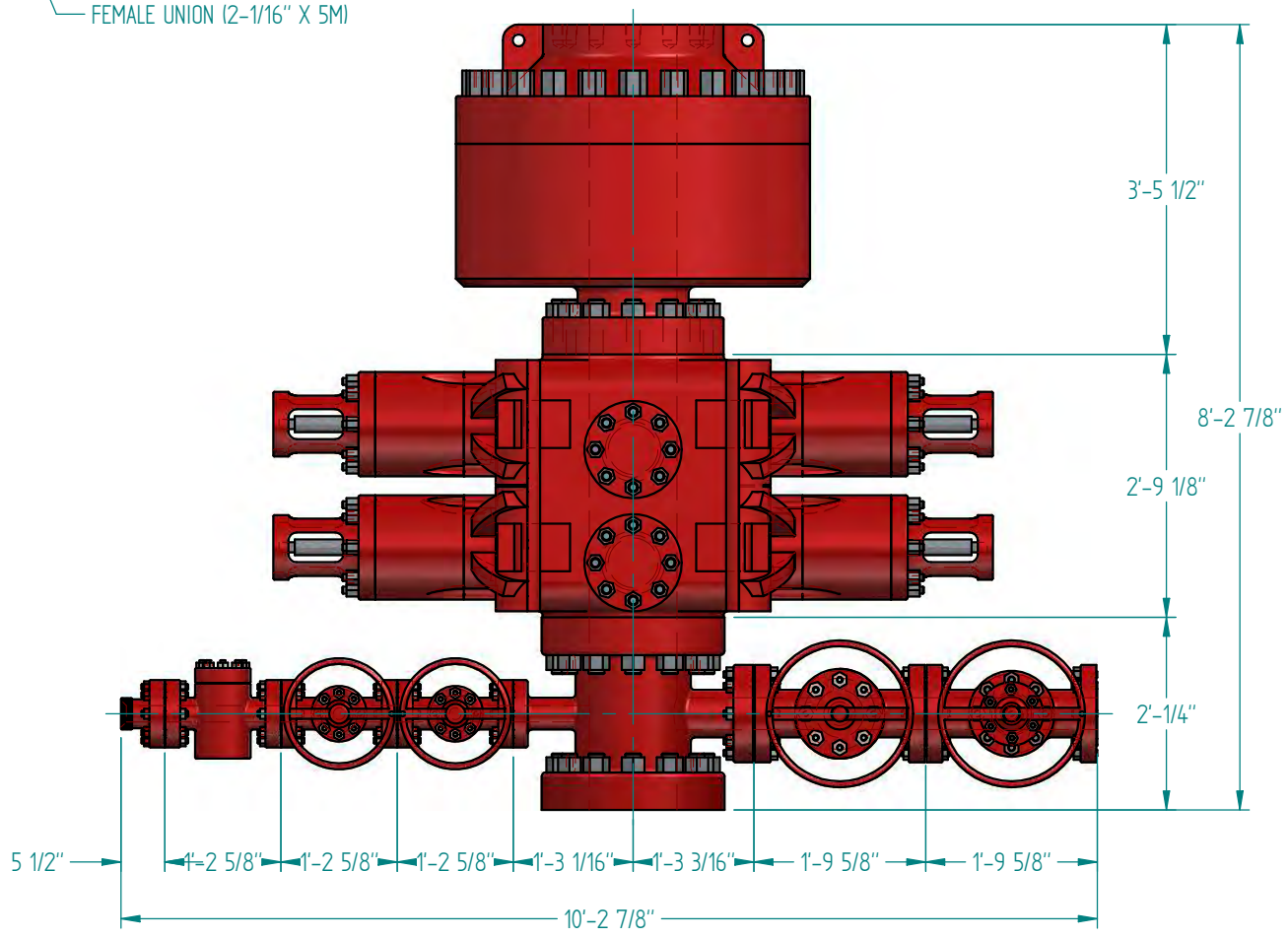
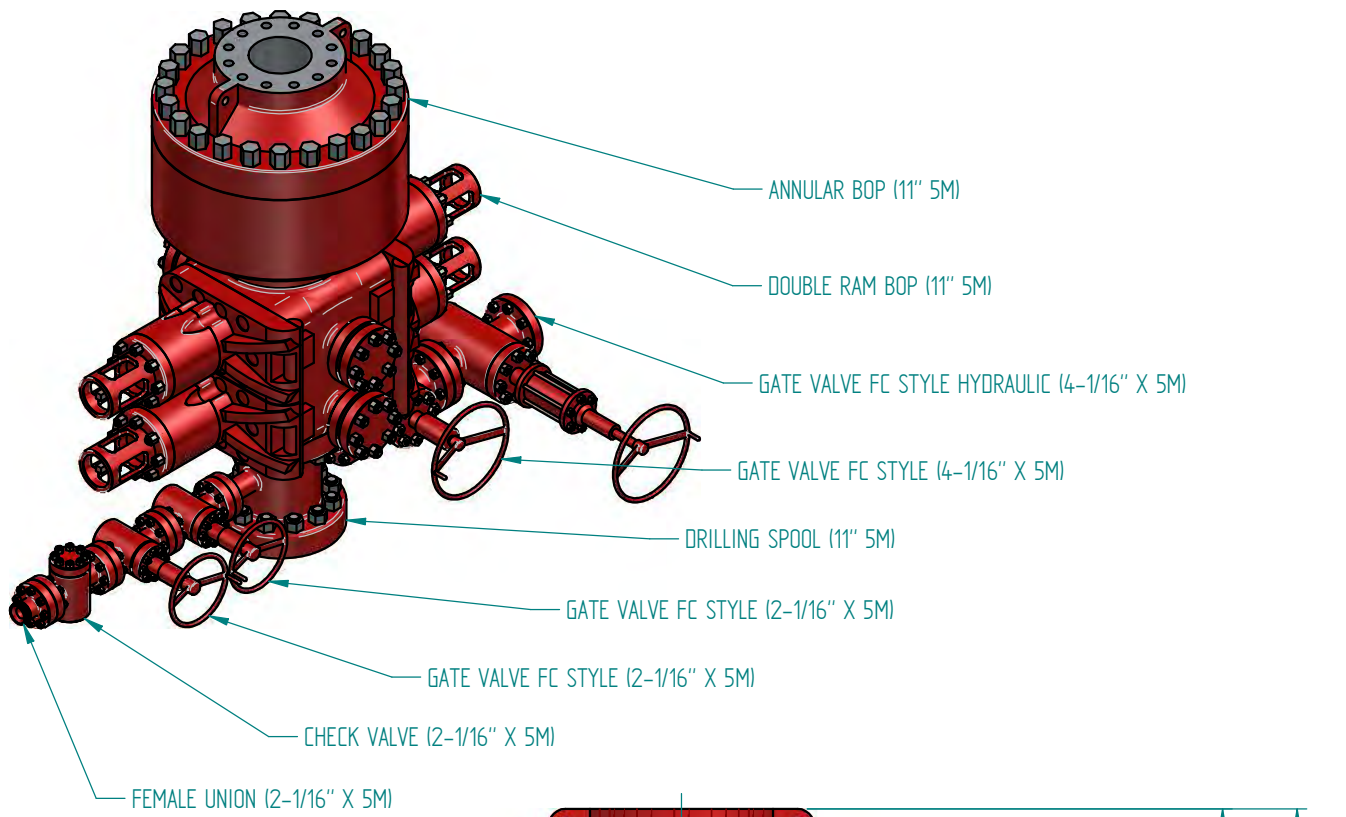


RIG 16





Rig 16



Rig 16

