



**Legacy Rig 14**  
**CAPACITY 12,500' with 4-1/2" DP**

---

**DRAWWORKS**

National 610-M 750HP 1-1/8" Line

**POWER**

(2) CAT C-15 535HP Each

**TORQUE CONVERTORS**

(2) National C-195-64

**AUXILIARY BRAKE**

Wichita 325

**MAST**

Pyramid 142' 390,000 SHL 10 Lines

**SUBSTRUCTURE**

15' (2) Box on Box 350,000 Setback

**CATWALK**

18"H x 7"W x 45'

**GENERATOR HOUSE**

(1) 455KW p/b (1) Cummings QSX-15

(1) 350KW p/b (1) CAT C-15

(1) Palatek 30D Screw 30HP

(1) Oilworks 390

**MUD PUMPS**

(2) RS F-1000 1000HP Each

**POWER**

(2) Detroit 12V2000 900HP Each

**TRANSMISSIONS**

(2) Allison 8962 Automatic

**TOP DRIVE**

Venturetech XK-250 250 Ton w/ HPU

p/b CAT C-18 630HP

w/ Tesco Grabber Box f/ 3" Thru 8" TJ,s (Feb. 2015)

**TRAVELING EQUIPMENT**

Block: National 250 ton block/hook combo

Hook:

**ROTARY TABLE**

Co - Emsco 27-1/2"

**BOP EQUIPMENT**

DOUBLE: Shaffer 11" 3000PSI

ANNULAR: HECI 11" 3000PSI

**HOUSES & TANKS**

Top Doghouse 8'H x 10'W x 40'L

Crew Change/Parts House 8'H x 12'W x 40'L

Diesel Fuel Tank (10,500 Gallon)

Water Tank (450 Bbl.) w/ 2 Pumps

Ameritech Pusher House 12'W x 48'L (skidded)

Ameritech Crew Housing 13'W x 52'L (skidded)

**MUD SYSTEM**

2 Tank - 600 Bbl. w/ 85 Bbl. Premix

**SOLIDS CONTROL EQUIPMENT**

Pumps: (4) 5" x 6" Cetrifugal 60 HP

Shakers: Vortex 3000 Duel

Desilter: OWI 8-4" Cones Agitators:

(5) 10HP Each

Mud House: 8'H x 10'W x 30'L Low

Pressure Hooper: Yes

**IRON ROUGHNECK**

Blohm-Voss FH 70

**AUXILIARY EQUIPMENT**

Wireline Machine: OWI 1600

Deviation Recorder: Rental Gearheart 20 Degree

Recorder: Rental Pason EDR Base System

Pipe Spinner: OWI 35C7 Air

Air Hoist: Ingersoll-Rand H5U 12,000#

Hyd. Hoist: DP 12,000#

Hyd. HPU: GFP w/ 2 Pumps

**TUBULARS**

Drill Pipe: 4-1/2" 16.60#

Drill Collars: 6-1/4" x 2-1/4" 92#

Drill Collars: 8" (Avail. Upon request)

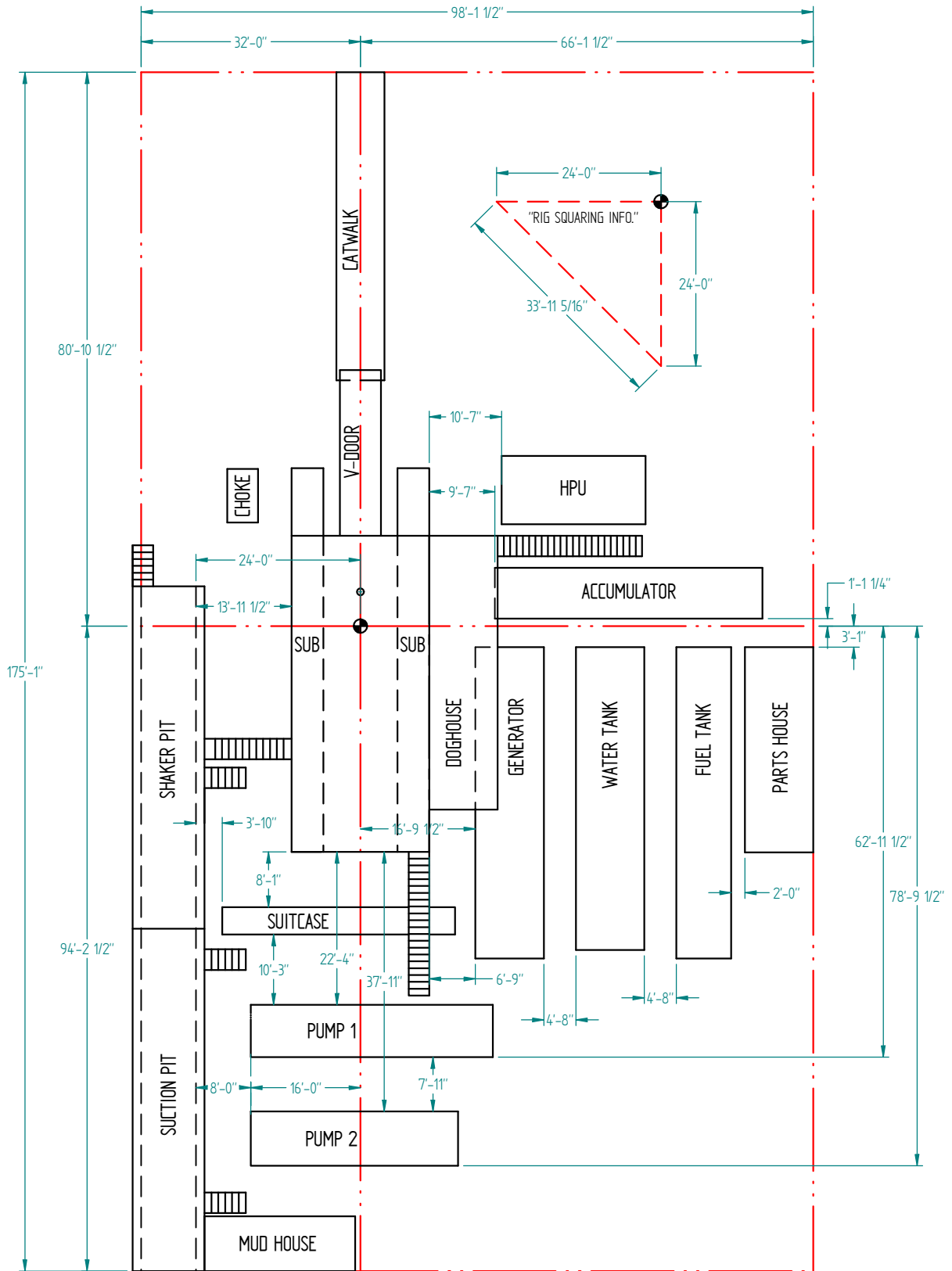
Weight Pipe: 4-1/2" x 2-7/8" 42#

**CHOKE MANIFOLD**

4" x 2" 5000PSI

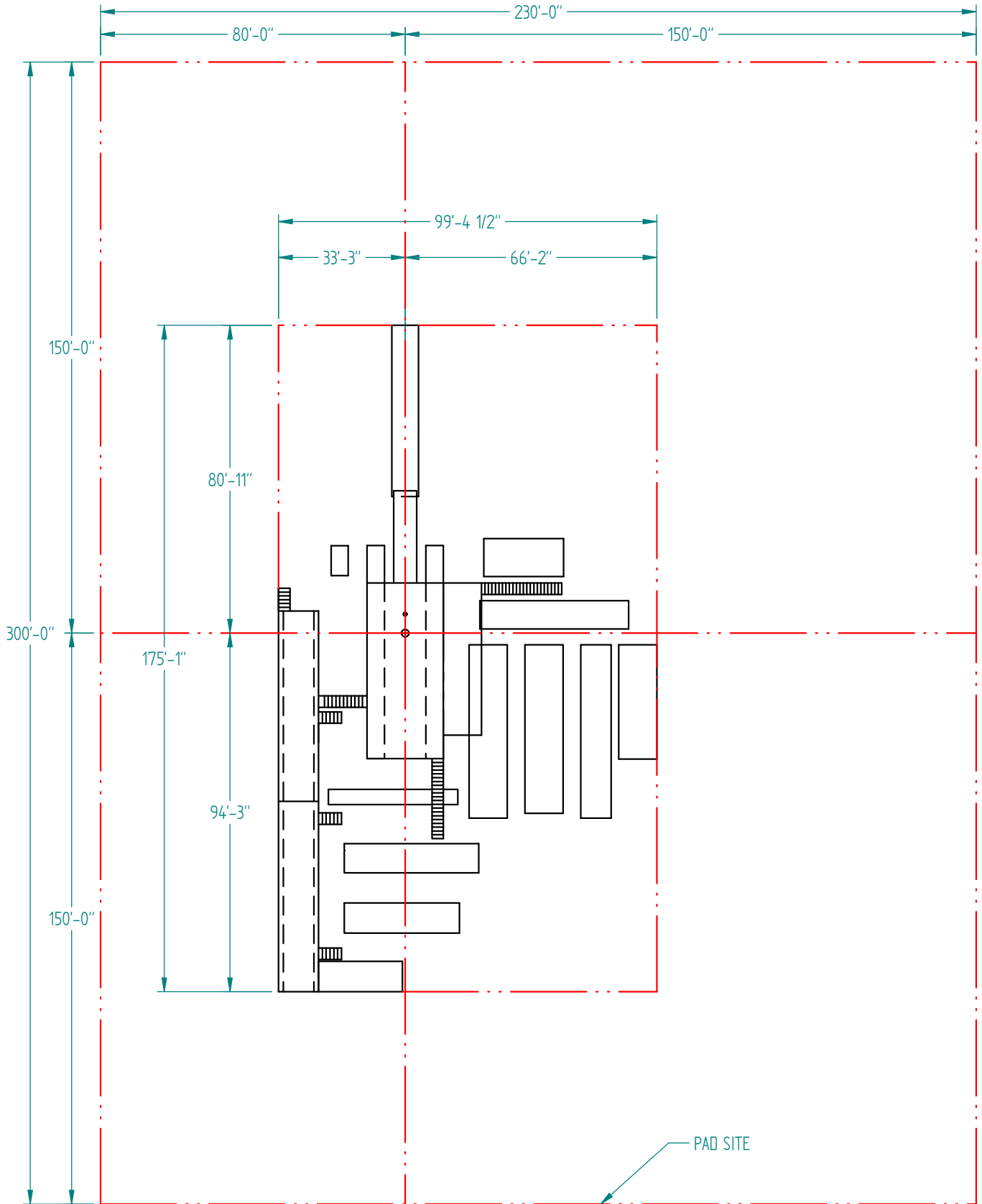
**CLOSING UNIT**

Koomey 5 Station 80 GALLON



RIG 14

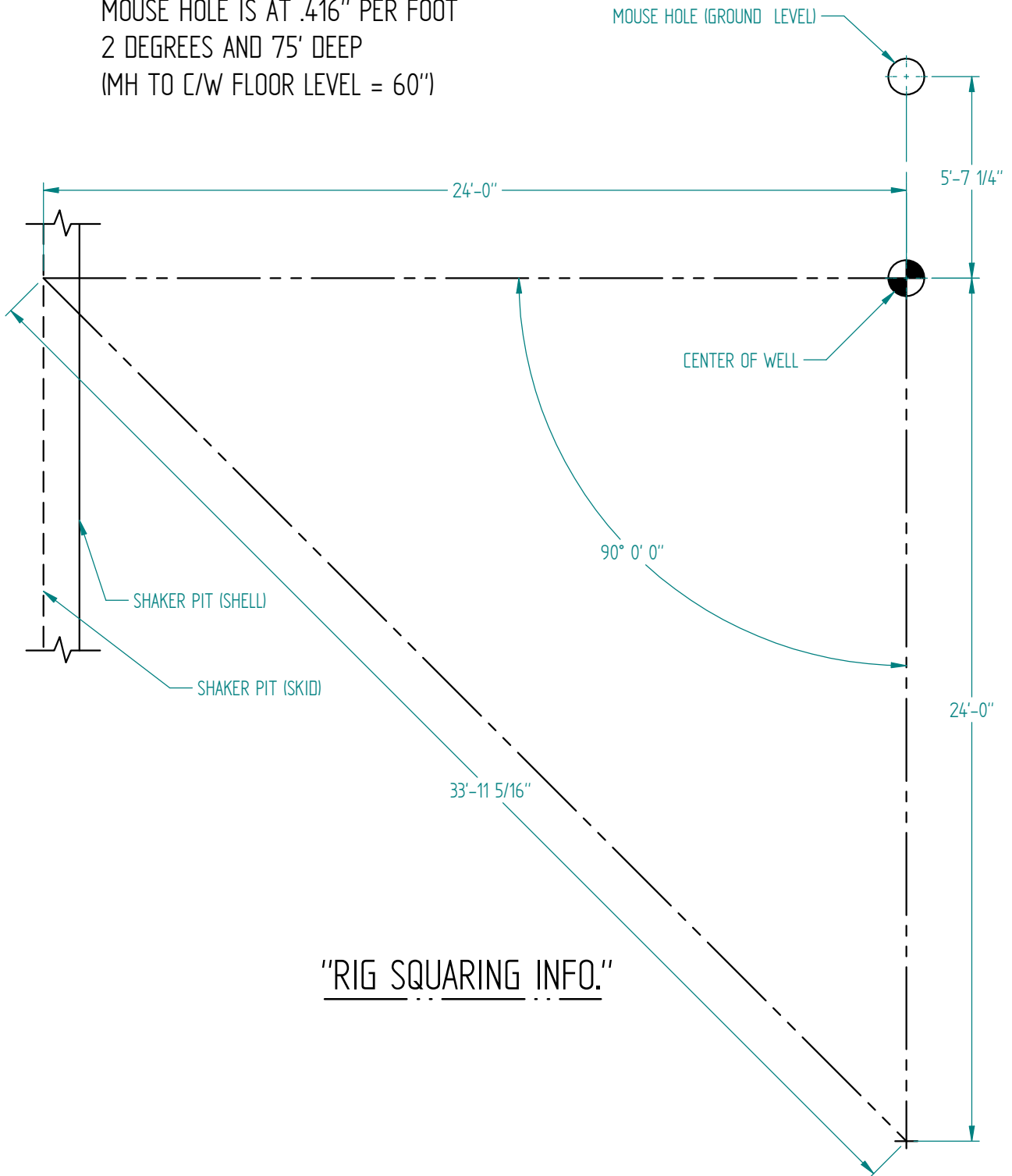




RIG 14



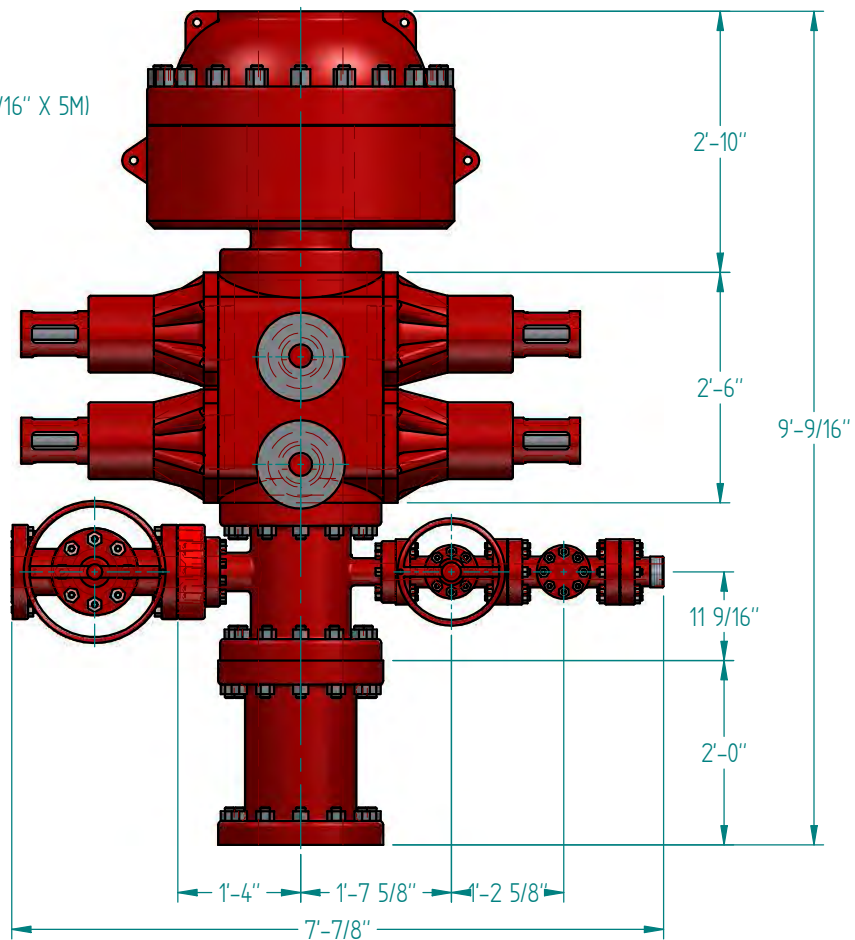
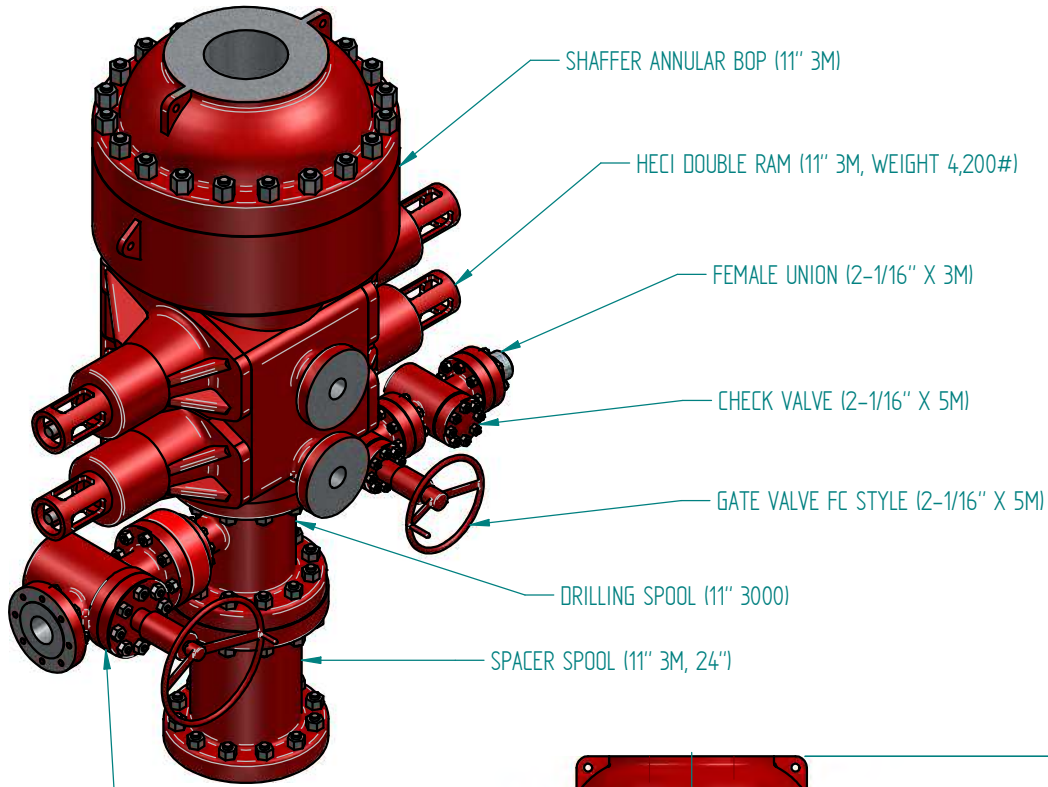
NOTE: ALL DIMENSIONS ARE AT GROUND LEVEL  
MOUSE HOLE IS AT .416" PER FOOT  
2 DEGREES AND 75' DEEP  
(MH TO C/W FLOOR LEVEL = 60")



"RIG SQUARING INFO."

RIG 14





RIG 14